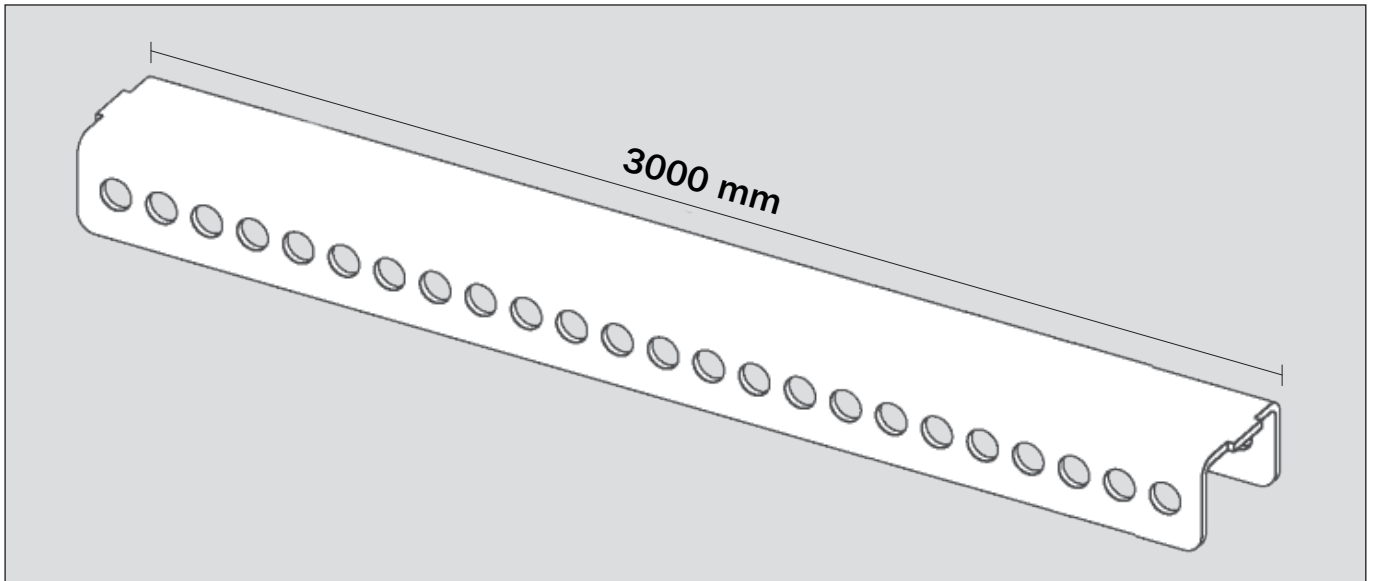


Vernier rod, 3000 mm

Item no. 100980



Application

Extension of vernier top parts

Characteristics

- A strong connection will prevent „clattering“.
- Connection is accomplished by means of vernier connector and vernier security pin.

Technical data

Material	Zinc-plated sheet steel	Packing unit	25 pcs. / PU
Material thickness	0.9 mm	Fire behaviour	Class A1
Shelf life	Unlimited	Load-bearing capacity	400 N (normal load)
Storage conditions	Store in a dry place protected against moisture and wetness	Corrosion protection	Class B

(Relevant test certificates / declarations of performance can be requested, if necessary)

Notes

- Suitable for use in damp rooms only if provided with special anti-corrosive coating (on request)
- Not suitable for outdoor installation