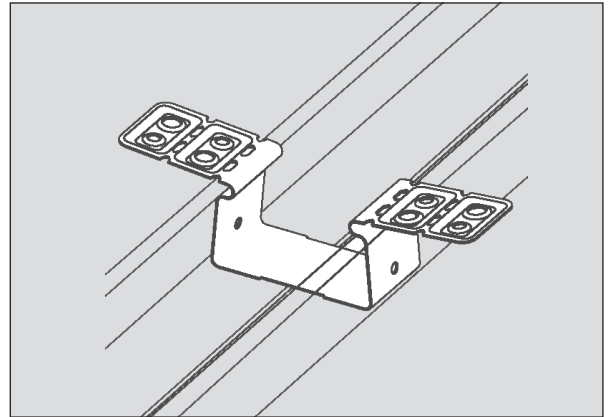
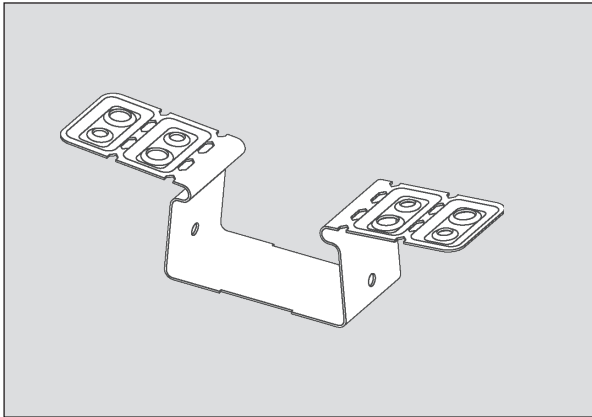


Fastening clip CD 60/27

Item no. 101543



Application

Mounting of CD 60/27 directly to the structural subbase, e.g. joists, with the option of compensating up to 20 mm

Characteristics

- The profile is put in place and affixed at the ends with one mounting clip each; the remaining clips are now mounted to the profile from the installation side and screwed down using 2 screws.
- Allows up to 20 mm compensation to the subbase (parallel and diagonal compensation possible).
- Can also be retrofitted.

Technical data

| | | | |
|---------------------------|---|------------------------------|-------------------------------|
| Material | Zinc-plated sheet steel | Packing unit | 100 pcs. / PU; 32 PU / pallet |
| Material thickness | 0.7 mm | Fire behaviour | Class A1 |
| Shelf life | Unlimited | Load-bearing capacity | 150 N (normal load) |
| Storage conditions | Store in a dry place protected against moisture and wetness | Corrosion protection | Class B |

(Relevant test certificates / declarations of performance can be requested, if necessary)

Notes

- Suitable for use in damp rooms only if provided with special anti-corrosive coating (on request)
- Not suitable for outdoor installation