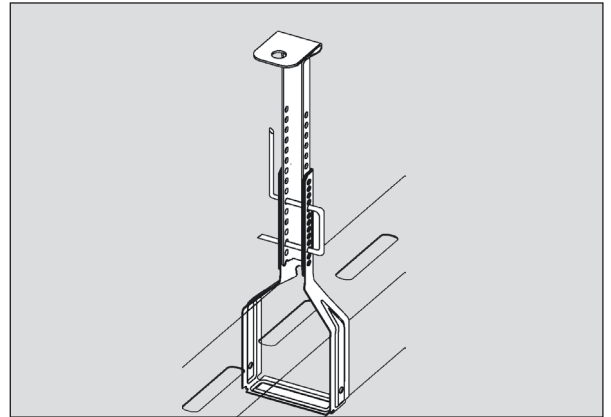
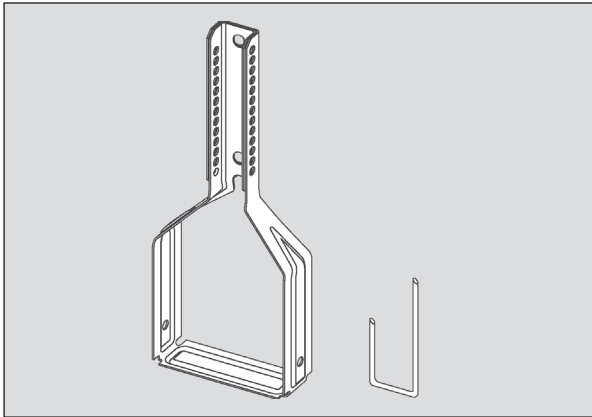


Vernier hanger, UA 50 incl. Security pin

Item no. 101560



Application

Suspension of UA 50 profiles from the structural soffit using vernier top part

Characteristics

- The spacing of the limbs of the vernier clip coincides with the borehole spacing of the two vernier top parts; this only requires one suitable borehole to be found, and the second follows. Once the correct height is defined, the long limb will be bent to secure it.
- A strong connection will prevent the vernier top and bottom part from clattering.
- In fire-rated ceilings, the vernier hanger does not need to be screwed on both sides.

Technical data

Material	Zinc-plated sheet steel	Packing unit	100 pcs. / PU; 32 PU / pallet
Material thickness	0.7 mm	Fire behaviour	Class A1
Shelf life	Unlimited	Load-bearing capacity	400 N (normal load)
Storage conditions	Store in a dry place protected against moisture and wetness	Corrosion protection	Class B

(Relevant test certificates / declarations of performance can be requested, if necessary)

Notes

- Suitable for use in damp rooms only if provided with special anti-corrosive coating (on request)
- Not suitable for outdoor installation