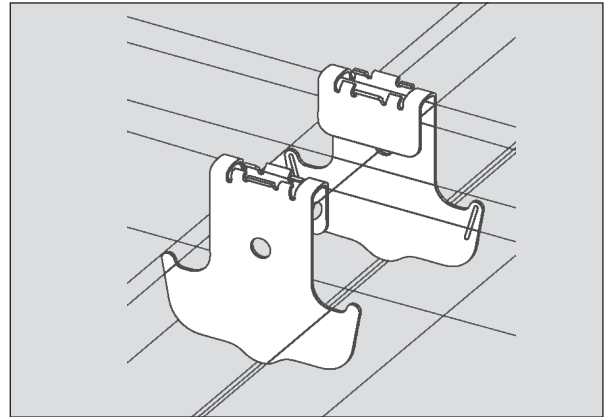
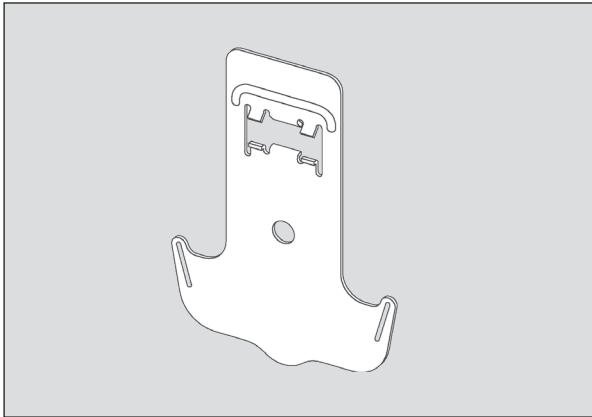


Anchor bracket, CD 60/27

Item no. 101565



Application

Quick and safe connection of CD 60/27 with CD 60/27 profiles in 90-degree angle

Characteristics

- The anchor bracket is placed into the primary profile, slid against the secondary profile and bent in the locking strap with only a slight use of force.
- The anchor bracket is always fixed on both sides of the profile.
- The connection is rigid and can be used for limited areas such as a floating ceiling.

Technical data

Material	Zinc-plated sheet steel	Packing unit	100 pcs. / PU; 96 PU / pallet
Material thickness	0.9 mm	Fire behaviour	Class A1
Shelf life	Unlimited	Load-bearing capacity	250 N (normal load)
Storage conditions	Store in a dry place protected against moisture and wetness	Corrosion protection	Class B

(Relevant test certificates / declarations of performance can be requested, if necessary)

Notes

- Suitable for use in damp rooms only if provided with special anti-corrosive coating (on request)
- Not suitable for outdoor installation