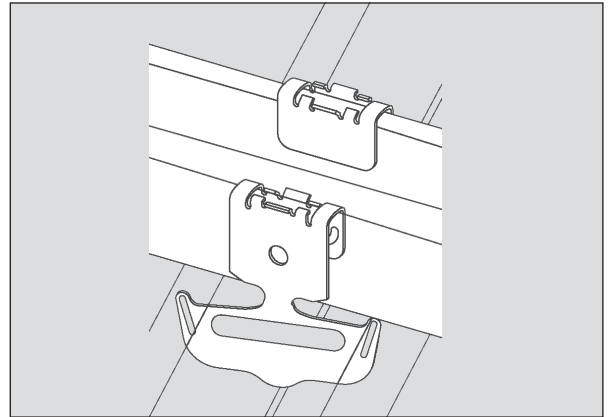
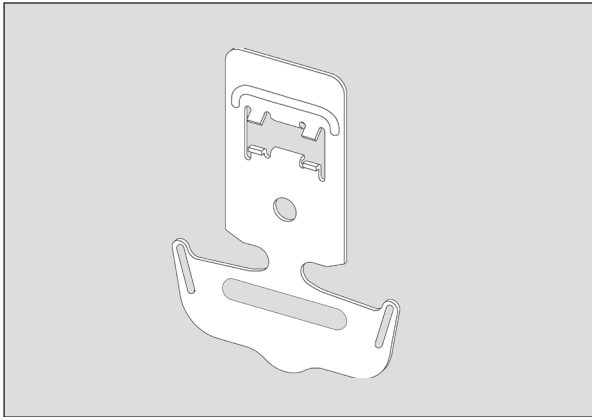


Twisting anchor bracket, CD 60/27

Item no. 101573



Application

Quick and safe connection of CD 60/27 profiles in angles of 30 degrees to 150 degrees

Characteristics

- Easy to install even if installation heights are small.
- Rigid connection, perfectly suitable for limited areas, such as floating ceilings.
- Is always fixed on both sides of the secondary profile.
- Pre-drilled borehole for screwing down the twisted anchor bracket.

Technical data

Material	Zinc-plated sheet steel	Packing unit	100 pcs. / PU; 96 PU / pallet
Material thickness	1.0 mm	Fire behaviour	Class A1
Shelf life	Unlimited	Load-bearing capacity	250 N (normal load)
Storage conditions	Store in a dry place protected against moisture and wetness	Corrosion protection	Class B

(Relevant test certificates / declarations of performance can be requested, if necessary)

Notes

- Suitable for use in damp rooms only if provided with special anti-corrosive coating (on request)
- Not suitable for outdoor installation