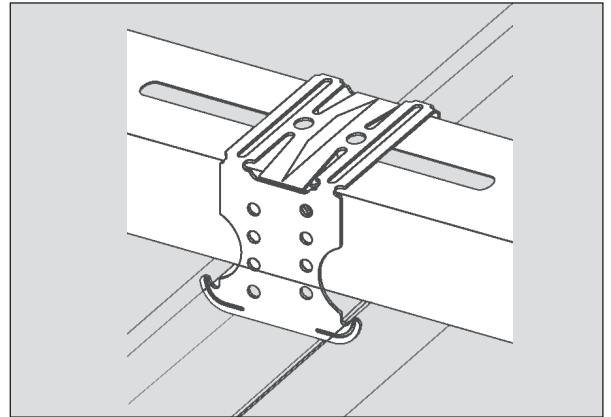
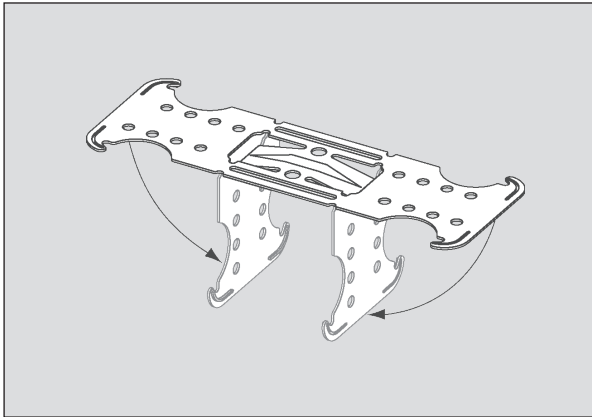


## UA cross connector, UA 50/CD 60/27

Item no. 101575



### Application

Quick and safe connection of CD 60/27 and UA 50 profiles

### Characteristics

- Easy to install when installation heights are small: insert it flat, bend it and snap it into place.
- After installation, the profiles are movable for the purpose of subsequent alignment.
- The positive-locking contour prevents the connector from sliding out.
- The spring action of the two straps facilitates installation.
- The extremely flat design of the cross connector makes for compact storage and handling.

### Technical data

<b>Material</b>	Zinc-plated sheet steel	<b>Packing unit</b>	100 pcs. / PU; 148 PU / pallet
<b>Material thickness</b>	0,9 mm	<b>Fire behaviour</b>	Class A1
<b>Shelf life</b>	Unlimited	<b>Load-bearing capacity</b>	400 N (normal load)
<b>Storage conditions</b>	Store in a dry place protected against moisture and wetness	<b>Corrosion protection</b>	Class B

*(Relevant test certificates / declarations of performance can be requested, if necessary)*

### Notes

- Suitable for use in damp rooms only if provided with special anti-corrosive coating (on request)
- Not suitable for outdoor installation