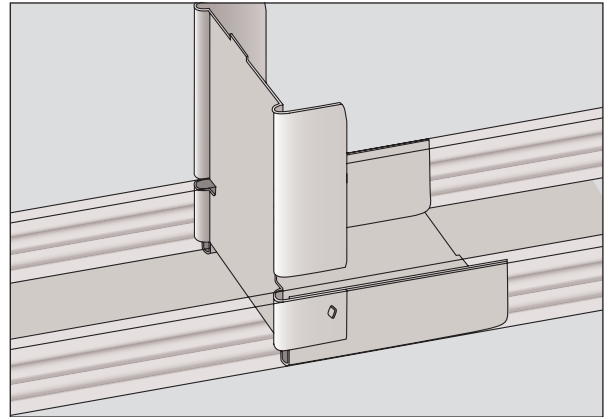
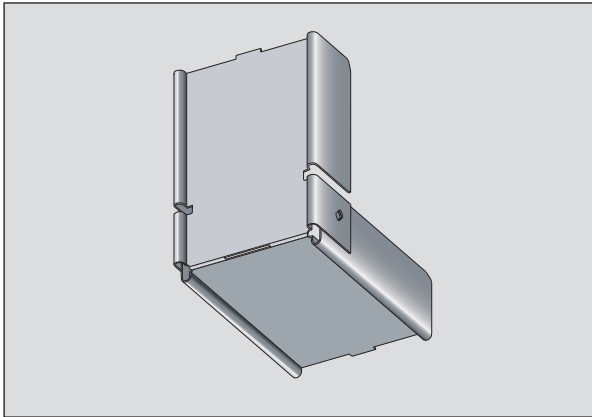


Vertical connector, T-connector, CD 60/27

Item no. 101587



Application

T-connector for 90-degree connection of CD profiles; flexibly movable within the profile

Characteristics

- Problem solver in special constructions / moulded element solutions.
- Easily movable within the CD 60/27 profile.
- Also suitable for use as 90-degree angled connector.

Technical data

Material	Zinc-plated sheet steel	Packing unit	100 pcs. / PU; 24 PU / pallet
Material thickness	0.5 mm	Fire behaviour	Class A1
Shelf life	Unlimited	Load-bearing capacity	--
Storage conditions	Store in a dry place protected against moisture and wetness	Corrosion protection	Class B

(Relevant test certificates / declarations of performance can be requested, if necessary)

Notes

- Suitable for use in damp rooms only if provided with special anti-corrosive coating (on request)
- Not suitable for outdoor installation