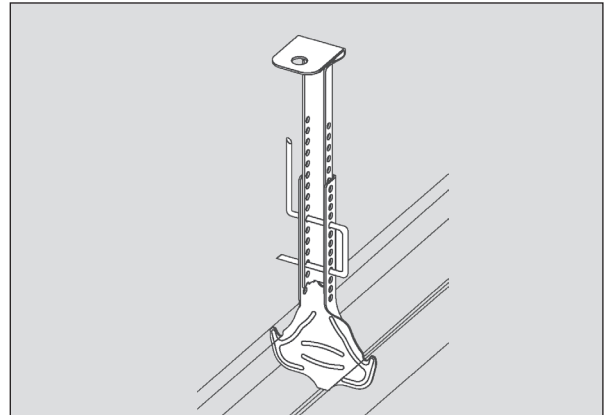
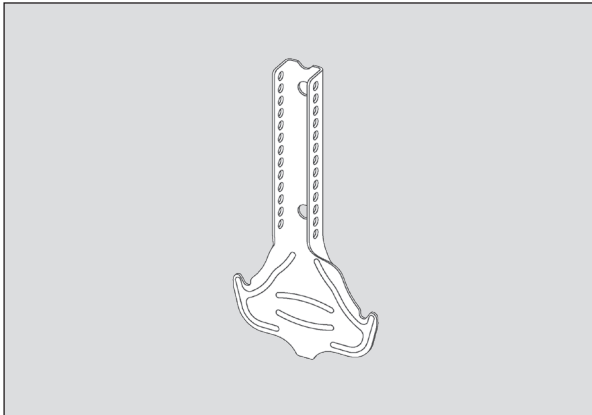


Vernier bottom part CD 60/27

Item no. 101588



Application

Suspension of CD 60/27 profiles from the structural soffit using vernier top part

Characteristics

- No clattering between vernier top and bottom part due to the accurate fit.
- Small suspension heights can be achieved.
- Installation benefit in detail – remains in position during installation.

Technical data

Material	Zinc-plated sheet steel	Packing unit	100 pcs. / PU; 108 PU / pallet
Material thickness	0.9 mm	Fire behaviour	Class A1
Shelf life	Unlimited	Load-bearing capacity	250 N (normal load)
Storage conditions	Store in a dry place protected against moisture and wetness	Corrosion protection	Class B

(Relevant test certificates / declarations of performance can be requested, if necessary)

Notes

- Suitable for use in damp rooms only if provided with special anti-corrosive coating (on request)
- Not suitable for outdoor installation