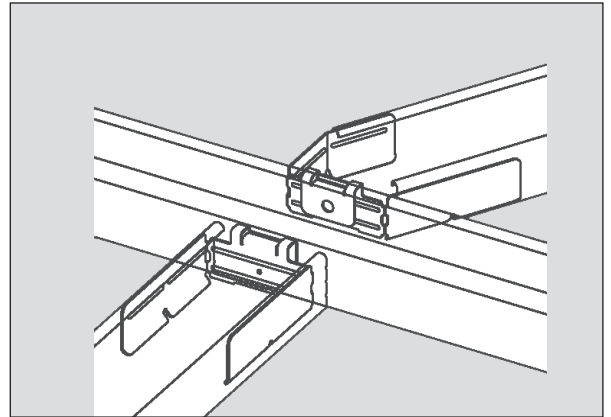
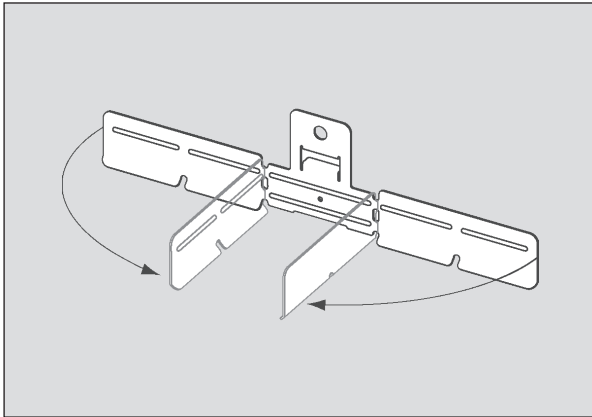


Universal connector, unbent, CD 60/27

Item no. 101589



Application

Flush connection of the CD 60/27 profile (e.g. cross connection, T-connection, wall connection, longitudinal connection)

Characteristics

- The resulting connection is flush and free of tension.
- The flat design of the connector allows compact storage and handling.
- The limbs can be secured by means of screwing or by using connection pliers.

Technical data

Material	Zinc-plated sheet steel	Packing unit	100 pcs. / PU; 84 PU / pallet
Material thickness	0.9 mm	Fire behaviour	Class A1
Shelf life	Unlimited	Load-bearing capacity	(not required)
Storage conditions	Store in a dry place protected against moisture and wetness	Corrosion protection	Class B

(Relevant test certificates / declarations of performance can be requested, if necessary)

Notes

- Suitable for use in damp rooms only if provided with special anti-corrosive coating (on request)
- Not suitable for outdoor installation