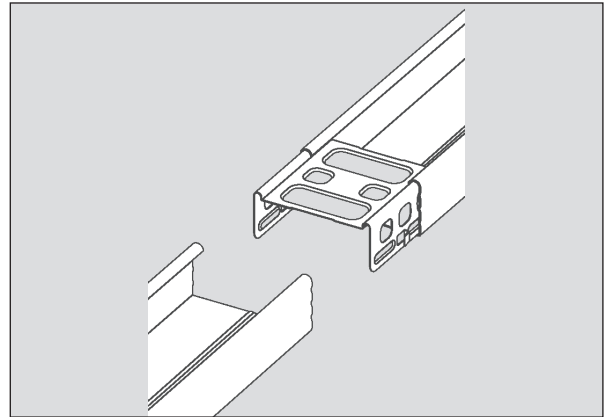
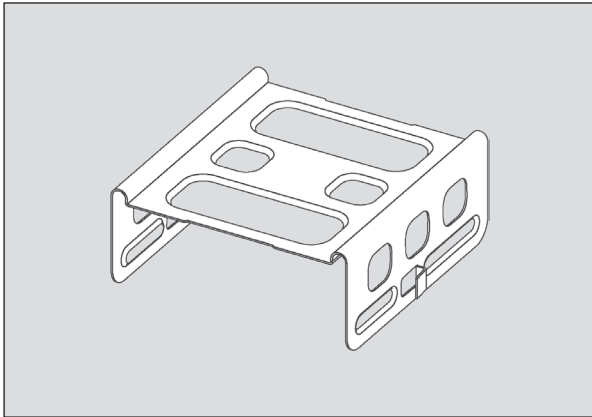


Connector, lengthwise, CD 60/27

Article no. 101595



Application

Quick and safe longitudinal connection of CD 60/27 profiles

Characteristics

- Quick, precise and accurately fitting connection of CD 60/27 profiles in longitudinal alignment.
- The small length of the component enables easy, user-friendly installation, particularly near walls and for short profiles.
- The connector is installed with „bottom open“. This prevents tilting and twisting between profile and connector while being screwed.

Technical data

Material	Zinc-plated sheet steel	Packing unit	100 pcs. / PU; 48 PU / pallet
Material thickness	0.4 mm	Fire behaviour	Class A1
Shelf life	Unlimited	Load-bearing capacity	(not required)
Storage conditions	Store in a dry place protected against moisture and wetness	Corrosion protection	Class B <i>Initial testing according to EN 13964 (Relevant test certificates / declarations of performance can be requested, if necessary)</i>

Notes

- Suitable for use in damp rooms only if provided with special anti-corrosive coating (on request)
- Not suitable for outdoor installation