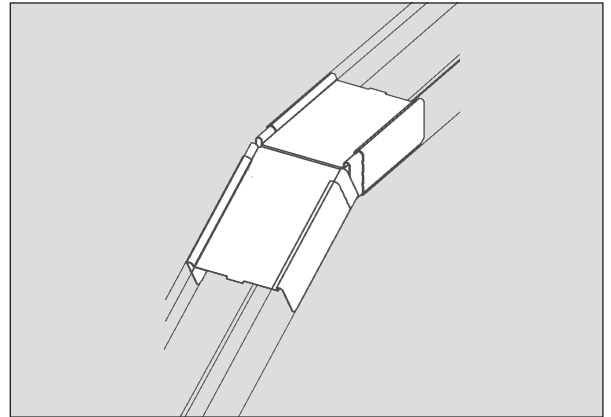
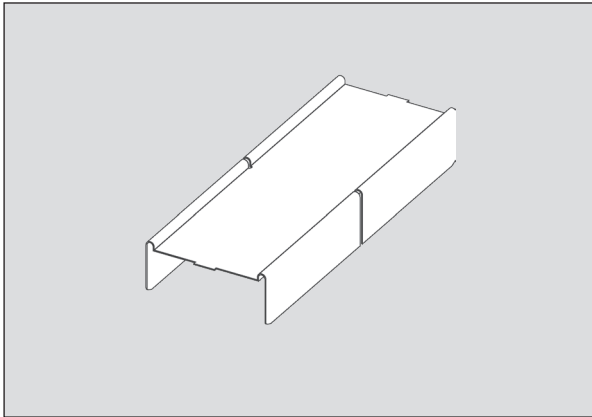


Angled connector, CD 60/27



Anwendung

Quick and safe axial longitudinal connection of CD 60/27 profiles in angles of 45 degrees to 180 degrees

Eigenschaften

- Flat angled connector, either for adjustment on site or with default setting.
- In case of on-site adjustment, it is recommended to connect the straps by means of screwing or by using connection pliers.
- Can be installed either with „profile top open“ or with „profile bottom open“.
- Liefervarianten:
 - Item no. 101579 Angled connector, flat, CD 60/27
 - Item no. 101583 Angled connector 90°, CD 60/27
 - Item no. 101585 Angled connector 45°-179°, CD 60/27 (default setting as per customer specification)

Technical data

Material	Zinc-plated sheet steel	Packing unit	100 pcs. / PU; 24 PU / pallet
Material thickness	0.5 mm	Fire behaviour	Class A1
Shelf life	Unlimited	Load-bearing capacity	400 N (normal load)
Storage conditions	Store in a dry place protected against moisture and wetness	Corrosion protection	Class B

(Relevant test certificates / declarations of performance can be requested, if necessary)

Notes

- Suitable for use in damp rooms only if provided with special anti-corrosive coating (on request)
- Not suitable for outdoor installation