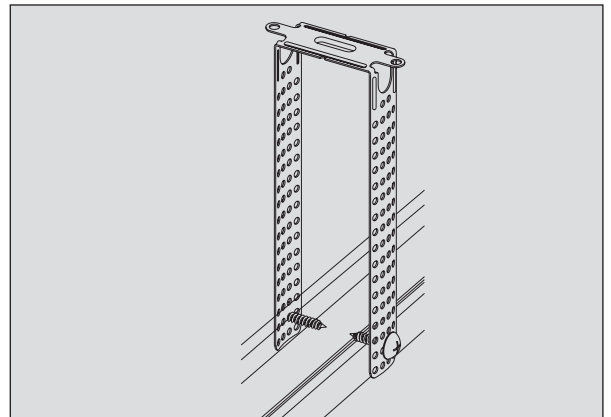
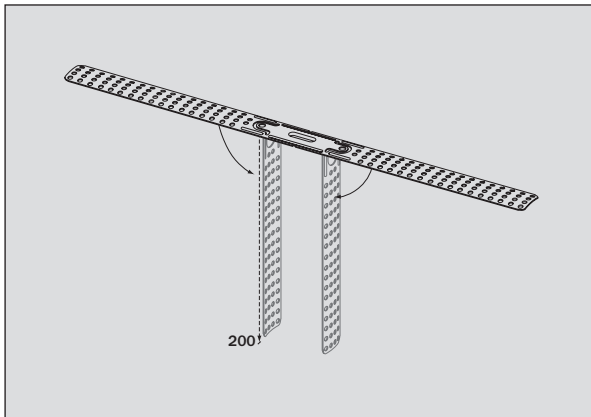


#### Direct suspended bracket, 200 mm, CD 60/27

Item no. 101606



#### Application

Mounting of CD 60/27 profiles directly to the structural subbase, e.g. joists or concrete soffits, with the option of compensating up to 200 mm

#### Characteristics

- The two lateral straps also allow the bracket to be screwed down later.
- Flat design for compact handling on the jobsite.
- The limbs are cambered to provide increased rigidity.

#### Technical data

<b>Material</b>	Zinc-plated sheet steel	<b>Packing unit</b>	100 pcs. / PU; 72 PU / pallet
<b>Material thickness</b>	0.9 mm	<b>Fire behaviour</b>	Class A1
<b>Shelf life</b>	Unlimited	<b>Load-bearing capacity</b>	400 N (normal load)
<b>Storage conditions</b>	Store in a dry place protected against moisture and wetness	<b>Corrosion protection</b>	Class B

*(Relevant test certificates / declarations of performance can be requested, if necessary)*

#### Notes

- Suitable for use in damp rooms only if provided with special anti-corrosive coating (on request)
- Not suitable for outdoor installation