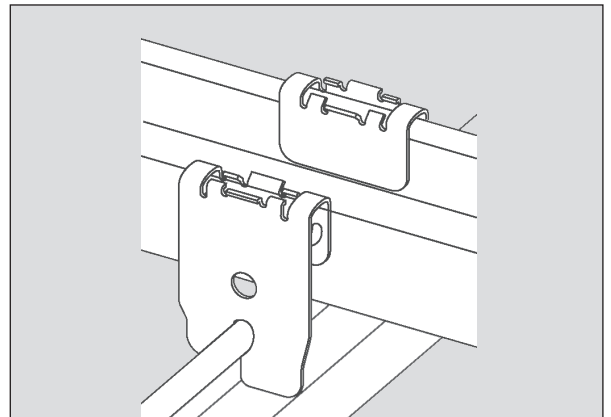
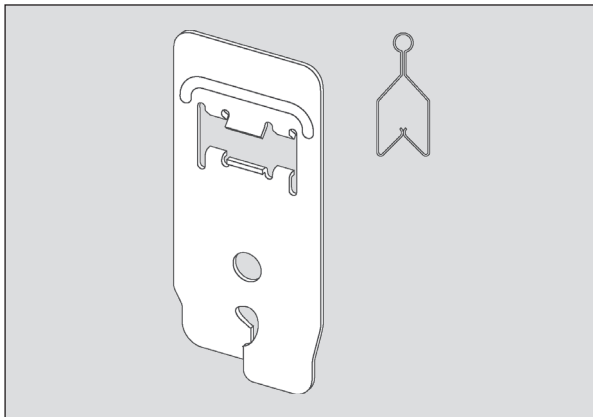


#### Connector, CD 60/27, clamping profile

Item no. 101620



#### Application

Cross connection of CD 60/27 profiles with clamping profiles at a 90-degree angle

#### Characteristics

- Time-consuming threading onto the clamping profile is thus eliminated.
- Profiles can be retrofitted.
- The flat design of the connector allows compact storage and handling.

#### Technical data

<b>Material</b>	Zinc-plated sheet steel	<b>Packing unit</b>	100 pcs. / PU; 96 PU / pallet
<b>Material thickness</b>	0.9 mm	<b>Fire behaviour</b>	Class A1
<b>Shelf life</b>	Unlimited	<b>Load-bearing capacity</b>	570 N (normal load)
<b>Storage conditions</b>	Store in a dry place protected against moisture and wetness	<b>Corrosion protection</b>	Class B

*(Relevant test certificates / declarations of performance can be requested, if necessary)*

#### Notes

- Suitable for use in damp rooms only if provided with special anti-corrosive coating (on request)
- Not suitable for outdoor installation