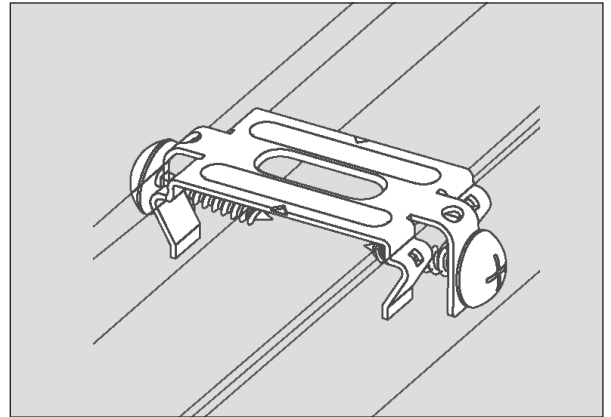
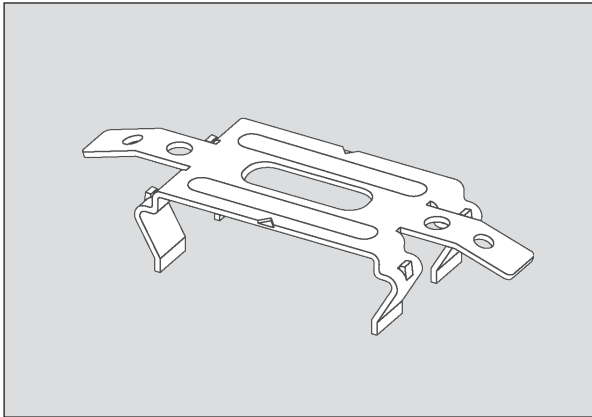


Direct mounting clip, CD 60/27

Item number 101621



Application

Mounting of CD 60/27 profiles directly to the structural subbase

Characteristics

- Easy installation: Clips are positioned on the chalkline using a notch and screwed down. The profile is then clipped-on and the two straps are bent up. They are then screwed down, if necessary.

Technical data

Material	Zinc-plated sheet steel	Packing unit	100 pcs. / PU
Material thickness	1.2 mm	Fire behaviour	Class A1
Shelf life	Unlimited	Load-bearing capacity	250 N (normal load)
Storage conditions	Store in a dry place protected against moisture and wetness	Corrosion protection	Class B <i>(Relevant test certificates / declarations of performance can be requested, if necessary)</i>

Notes

- Suitable for use in damp rooms only if provided with special anti-corrosive coating (on request)
- Not suitable for outdoor installation