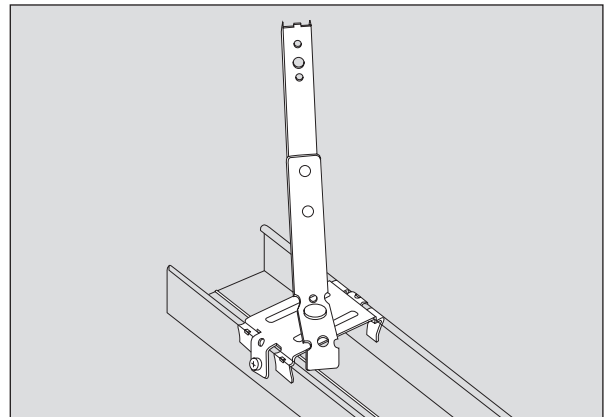
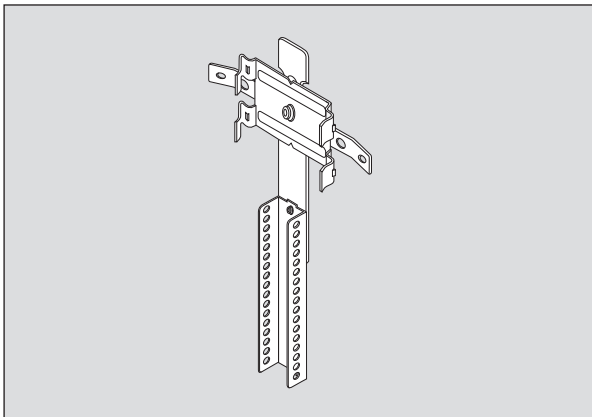


Vernier bottom part, diagonal pull, rotating, CD 60/27

Item no. 101625



Application

Diagonal suspension of CD 60/27 profiles from the structural soffit using vernier top part

Practical application: system component for domed and vaulted structures as well as all diagonal suspensions Excellently suited for multiple diagonal suspensions, e.g. in staircases, fully rotating

Characteristics

- The accurate fit of the vernier bottom part with the CD 60/27 profiles prevents „clattering“.
- After installation, the vernier bottom part must be affixed using tapping screws LN 9.5.
- The rotating function also allows lateral mounting/suspension. The spacing of the limbs of the vernier clip coincides with the borehole spacing of the vernier parts; this only requires one suitable borehole to be found, and the second follows.

Technical data

Material	Zinc-plated sheet steel	Packaging unit	100 pcs. / PU; 32 PU / pallet
Materialstärke	0.9 – 1.5 mm	Fire behaviour	Class A1
Lagerdauer	Unlimited	Load-bearing capacity	400 N (normal load) (screwed)
Lagerbedingungen	Store in a dry place protected against moisture and wetness	Corrosion protection	Class B

(Relevant test certificates / declarations of performance can be requested, if necessary.)

Notes

- Suitable for use in damp rooms only if provided with special anti-corrosive coating (on request)
- Not suitable for outdoor installation