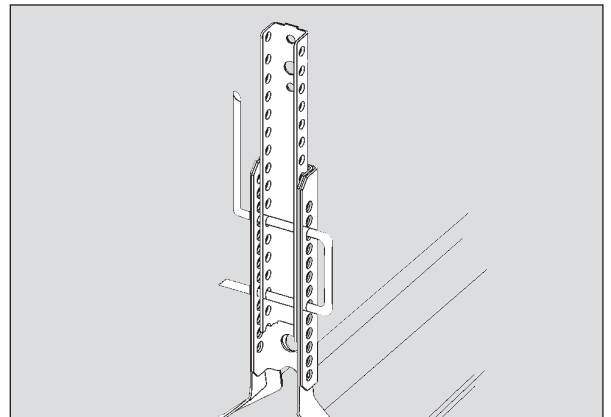
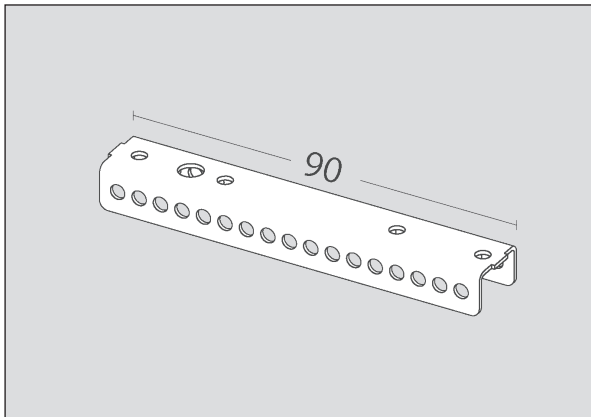


Vernier connector 90 mm

Item no. 101646



Application

Longitudinal connection of vernier top parts (or vernier rods) by means of vernier security pin

Characteristics

- Connection is accomplished by means of two vernier security pins.
- A strong connection will prevent „clattering“.

Technical data

Material	Zinc-plated sheet steel	Packing unit	100 pcs. / PU; 96 PU / pallet
Material thickness	0.9 mm	Fire behaviour	Class A1
Shelf life	Unlimited	Load-bearing capacity	400 N (normal load)
Storage conditions	Store in a dry place protected against moisture and wetness	Corrosion protection	Class B

(Relevant test certificates / declarations of performance can be requested, if necessary)

Notes

- Suitable for use in damp rooms only if provided with special anti-corrosive coating (on request)
- Not suitable for outdoor installation