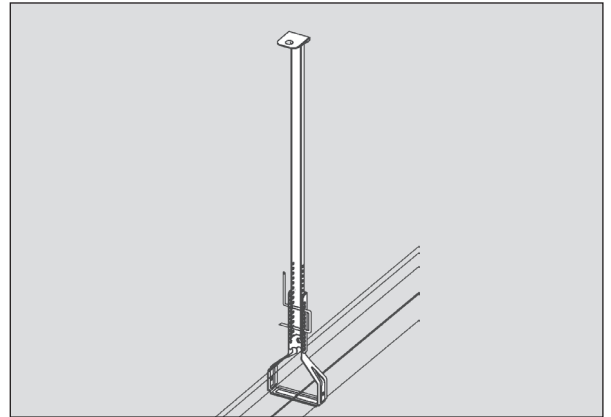
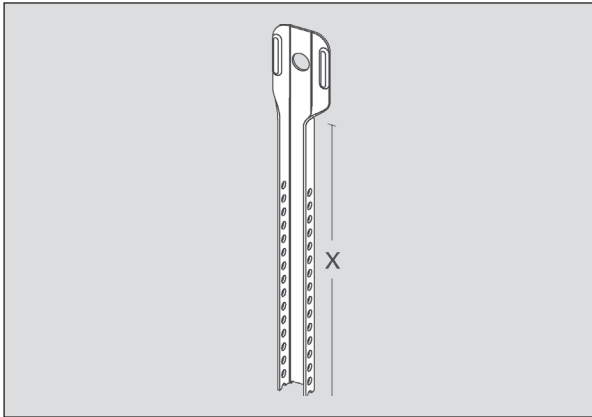


Vernier top parts in various lengths



Application

Suspended bracket for mounting to the structural soffit and connection with a vernier bottom part using a security pin; perforated all the way to the head

Characteristics

- Available in the following lengths (custom lengths on request).

The dimensions indicated relate to the suspension height up to „bottom edge of finished ceiling“!

■ 200 mm	Item no. 101647	240 PU / pallet	■ 900 mm	Item no. 101668	30 PU / pallet	■ 1,600 mm	Item no. 101681	25 pcs. / PU
■ 300 mm	Item no. 101650	120 PU / pallet	■ 1,000 mm	Item no. 101670	30 PU / pallet	■ 1,700 mm	Item no. 101683	25 pcs. / PU
■ 400 mm	Item no. 101653	100 PU / pallet	■ 1,100 mm	Item no. 101673	25 pcs. / PU	■ 1,800 mm	Item no. 101684	25 pcs. / PU
■ 500 mm	Item no. 101656	80 PU / pallet	■ 1,200 mm	Item no. 101675	25 pcs. / PU	■ 1,900 mm	Item no. 101686	25 pcs. / PU
■ 600 mm	Item no. 101659	60 PU / pallet	■ 1,300 mm	Item no. 101677	25 pcs. / PU	■ 2,000 mm	Item no. 101688	25 pcs. / PU
■ 700 mm	Item no. 101662	50 PU / pallet	■ 1,400 mm	Item no. 101678	25 pcs. / PU			
■ 800 mm	Item no. 101665	40 PU / pallet	■ 1,500 mm	Item no. 101680	25 pcs. / PU			

Technical data

Material	Zinc-plated sheet steel	Packing unit	to 1,000 mm - 100 pcs. / PU from 1,100 mm - 25 pcs. / PU
Material thickness	0.9 mm	Fire behaviour	Class A1
Shelf life	Unlimited	Load-bearing capacity	400 N (normal load)
Storage conditions	Store in a dry place protected against moisture and wetness	Corrosion protection	Class B

(Relevant test certificates / declarations of performance can be requested, if necessary)

Notes

- Suitable for use in damp rooms only if provided with special anti-corrosive coating (on request)
- Not suitable for outdoor installation