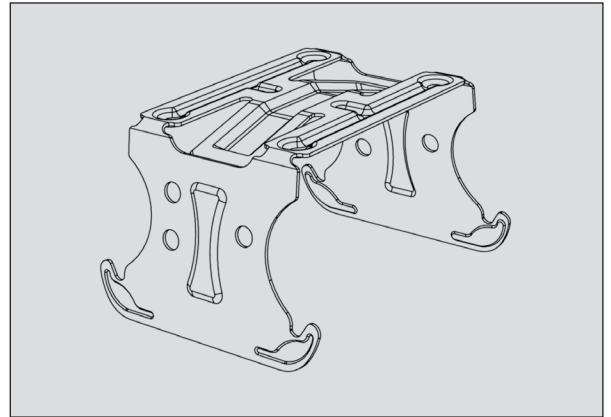
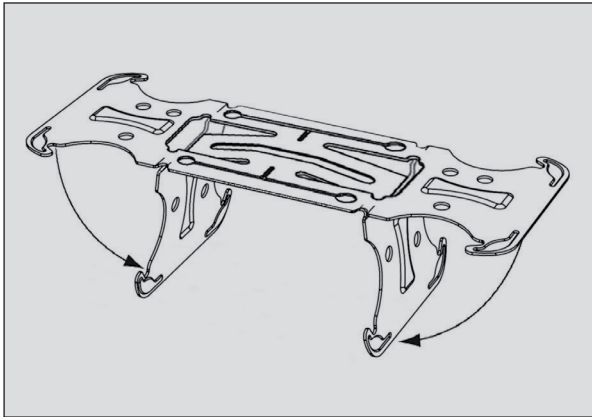


## Cross connector, CD 60/27

Item no. 104073



### Application

Connection of primary and secondary profiles in CD/CD ceiling structure.

### Characteristics

- Easy to install when installation heights are small.
- After installation, the profiles are movable for the purpose of alignment.
- The positive-locking contour prevents the connector from sliding out.
- The spring action of the two straps facilitates installation.
- The extremely flat design of the cross connector allows compact storage.
- Clatter-free connection of primary and secondary profile.

### Technical data

<b>Material</b>	Zinc-plated sheet steel	<b>Packing unit</b>	100 pcs. / PU
<b>Material thickness</b>	0.7 mm	<b>Fire behaviour</b>	Class A1
<b>Shelf life</b>	Unlimited	<b>Load-bearing capacity</b>	400 N (normal load)
<b>Storage conditions</b>	Store in a dry place protected against moisture and wetness	<b>Corrosion protection</b>	Class B

*(Relevant test certificates / declarations of performance can be requested, if necessary.)*

### Notes

- Not suitable for outdoor installation
- Suitable for use in damp rooms only if provided with special anti-corrosive coating (on request)
- Cross connector is delivered "unbent"