

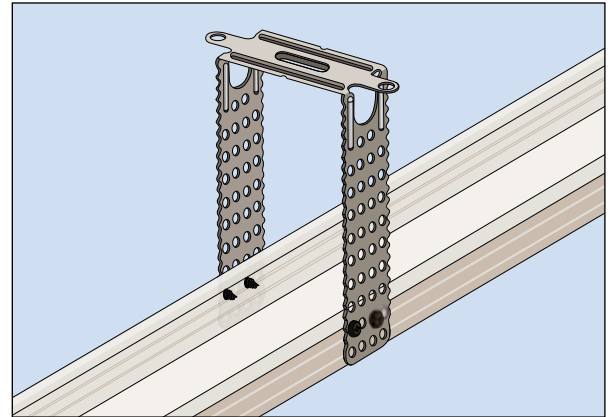
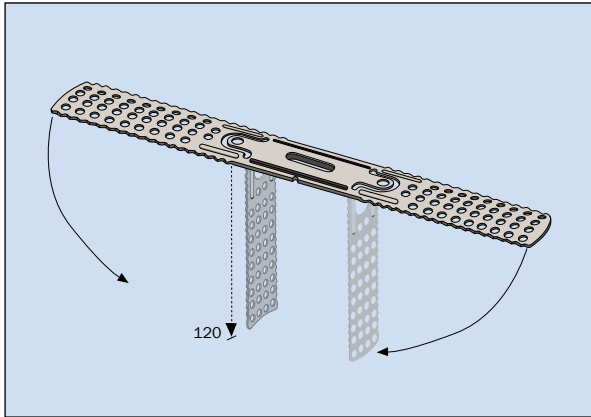
Framework

Product Data Sheet 210

Technical Information

Direct suspended bracket, 120 mm, 4-hole, CD 60/27

Item no. 101602



Application

Mounting of CD 60/27 profiles directly to the structural subbase, e.g. joists or concrete soffits, with the option of compensating up to 120 mm

Characteristics

- The two lateral straps also allow the bracket to be screwed down later.
- Flat design for compact handling on the jobsite.
- The limbs are cambered to provide increased rigidity.

Technical data

| | | | |
|---------------------------|---|------------------------------|-------------------------------|
| Material | Zinc-plated sheet steel | Packing unit | 100 pcs. / PU; 96 PU / pallet |
| Material thickness | 0.9 mm | Fire behaviour | Class A1 |
| Shelf life | Unlimited | Load-bearing capacity | 400 N (normal load) |
| Storage conditions | Store in a dry place protected against moisture and wetness | Corrosion protection | Class B |

(Relevant test certificates / declarations of performance can be requested, if necessary)

Notes

- Suitable for use in damp rooms only if provided with special anti-corrosive coating (on request)
- Not suitable for outdoor installation