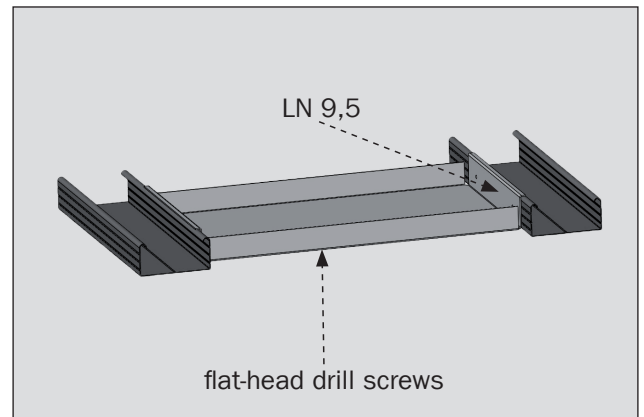
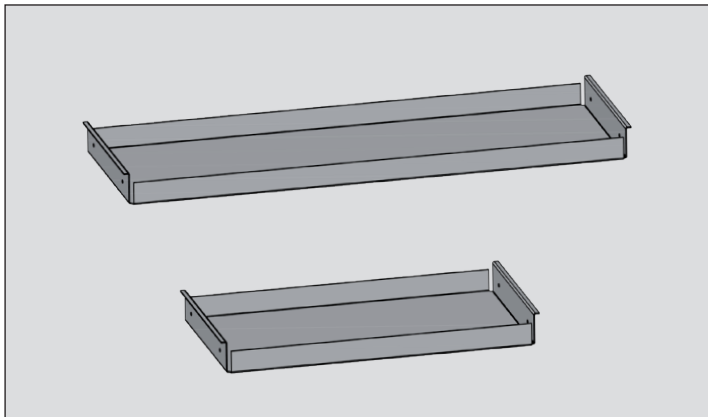


# Integrated ceiling components

Product data sheet 251

Technical information

## Installation traverse for CD 60/27



### Description

- 1 pack = 2 x installation traverses, available for secondary profile spacing 333 mm **or** 500 mm
- Including fixing material:
  - 8 x tapping screws with needle point, LN 9.5 mm, for screw connection in the CD profiles
  - 4 x flat-head self-drilling screws, 4.2 x 32 mm, to attach luminaires or the like

### Notes

- Observe the load class of the ceiling structure; if applicable, achieve a higher load class by means of shorter suspended brackets and primary profile spacing
- Include additional loads due to damping layer etc. into calculation and planning

### Advantages

- The set containing all required components to appropriately include the additional loads into the framework
- Material class A1 – non-combustible – due to the use of components made of sheet steel
- Secondary profile spacing 333 mm – suited for commonly used acoustic design ceilings **or** secondary profile spacing 500 mm – suited for smooth plasterboard structures
- Significantly quicker and simpler installation as compared to individual wooden structures

### Product range

Item No. 104175 installation traverse for CD 60/27, type 333 mm

Item No. 104987 installation traverse for CD 60/27, type 500 mm